



Sheer
driving pleasure



THE X5

PROTECTION VR6

TABLE OF CONTENTS.

HISTORY

HISTORY	08
---------	----

BMW X5 PROTECTION VR6

PROTECTION CLASS	10
PASSENGER COMPARTMENT	14
PROTECTION AND OPTIONAL EQUIPMENT	16
DRIVETRAIN AND DRIVING DYNAMICS	18

EQUIPMENT

OPTIONAL EQUIPMENT FOR AUTHORITIES	20
M50i PERFORMANCE MODEL	22
INTERIOR DESIGN	24
EQUIPMENT	26
EXTERIOR/INTERIOR COLOURS, WHEELS/TYRES	28
TECHNICAL DATA	30



GROUNDBREAKING WITH SECURITY.

Since its introduction, the BMW X5 has been setting milestones in a class that it has founded itself. A multitude of intelligent technologies, outstanding dynamics and maximum comfort define its character. The BMW X5 also sets standards in the fourth generation – not only as a Sports Activity Vehicle (SAV), but also as a security vehicle.

BMW was the first manufacturer in the world to introduce factory-installed integrated protective equipment for SAVs. The new BMW X5 Protection VR6 combines outstanding performance, maximum comfort and exclusive features with innovative safety concepts for maximum protection in every situation.

With the VR6 resistance class in the new BMW X5 Protection VR6, the security vehicle has tailor-made and integrated protective equipment ex works. Thus, the security vehicle can hardly be distinguished from the series-production vehicles in terms of looks and driving dynamics and offers you a superior appearance with a maximum of discretion. This is made possible in particular by an intelligent material mix and the special adaptations of the chassis components. BMW supplies everything from a single source – from concept to implementation – and, thanks to more than four decades of experience in development and production, meets the highest demands in terms of active and passive safety, agility and protective equipment.

* The abbreviation "VR6" ("Vehicle Resistance") in the model name of the new BMW X5 Protection VR6 stands for the resistance class according to which the special protection vehicle is certified (VPAM BRV 2009 in the current version). Civil security vehicles are divided into the resistance classes VR1 to VR10. Additionally, the vehicle is certified according to the ERV 2010 guidelines.



READY FOR THE
UNPREDICTABLE.



SAFETY KNOWS
NO COMPROMISES.



TRUST IS GOOD. EXPERIENCE IS BETTER.

FOR MORE THAN 40 YEARS, BMW HAS BEEN DEVELOPING AND PRODUCING SECURITY VEHICLES THAT MEET THE HIGHEST STANDARDS.

One of the most important experiences: Only those who fulfil all aspects of a security concept **from a single source** can develop a vehicle with comprehensive protection without making compromises. The integration of the protective measures and the associated additional weight are already taken into account during the development of the production vehicle.

In combination with **innovative materials** and **state-of-the-art development techniques**, this approach enables the perfectly coordinated integration of all protective elements. All protective measures, such as security glazing, underbody splinter protection or moulded parts made of high-strength steel, are integrated without impairing the discreet appearance of the series-production vehicle. In order to guarantee **unrestricted driving dynamics**, combined with **unique comfort**, a chassis designed for maximum load is installed ex works. The standard restraint systems and airbags also retain their full functionality.

In addition to the **strict quality standards** that every BMW protection vehicle must meet, the vehicles are tested and certified in accordance with the internationally recognised official VPAM* test guidelines against fire (BRV 2009) and impact (ERV 2010) in the currently valid version.



2019 BMW X5 Protection VR6 – the fourth and latest SAV generation of BMW protection vehicles.



1978 BMW 7 Series – the first generation of security vehicles.



1995 BMW 7 Series High Security – raised the standards in international competition.



2003 BMW 7 Series High Security – the next generation with the latest armouring technology.



2012 BMW 7 Series High Security – BMW is the first manufacturer to meet the requirements of resistance class VR7 according to BRV 2009.



2004 BMW X5 Security – the first generation of armoured Sports Activity Vehicles (SAVs).



2008 BMW X5 Security and BMW X5 Security Plus – the first generation of the BMW X5 as Security Plus with resistance class VR6.



2014 BMW X5 Security and BMW X5 Security Plus mark the next generation of armoured SAVs.

* VPAM is the Association of centres for certification of bullet-resistant materials and constructions.

ENTIRELY SECURE.

THE GOAL OF THE BMW SECURITY EXPERTS IS TO GIVE YOU THE SECURITY TO BE PERFECTLY PREPARED FOR ANY SERIOUS SITUATION.

With the new **BMW X5 Protection VR6**, you can enjoy the unique comfort and luxury of a BMW X5 series-production car and at the same time be assured of all-round protection. The guidelines of **Bullet Resistant Vehicles (BRV 2009)** and **Explosive Resistant Vehicles (ERV 2010)** are the internationally recognised standard for testing the bullet and blast resistance of specially protected vehicles.

The tests are not only carried out separately on each of the materials used, but the entire vehicle is also subjected to ballistic testing and certified. These ballistic tests are carried out by an independent state testing institute and thus guarantee objective testing according to standardised procedures. The overall result: Regardless of whether as a private, official or escort vehicle, in a BMW protection vehicle you can face **any situation with the greatest ease and composure.**



A (PROTECTION) CLASS OF ITS OWN.



YOU WILL HARDLY SEE ITS SUPERIOR SAFETY, BUT YOU WILL FEEL IT IMMEDIATELY.

The new **BMW X5 Protection VR6** takes safety to a whole new level. The armouring of the passenger compartment consists of high-strength moulded steel parts and, together with the armoured luggage-compartment partition fitted as standard, protects against attacks with short-range and long-range weapons up to 7.62 x 39 mm FeC calibre. The joint area also protects against the 7.62 x 39 mm SC calibre. Both calibres are fired, for example, with the world's most widely used weapon, the Kalashnikov AK-47.

The **armoured passenger compartment** can also withstand lateral blasting with 15 kg TNT from a distance of four metres. In addition, a reinforced¹ roof offers protection against explosive charges such as the DTG5.

An **external aluminium underbody armouring** provides comprehensive protection against shock wave loads and splintering when attacked by DM51 hand grenades. This underbody armouring can be reinforced with fibre composites¹ to additionally withstand an attack with the HG85 hand grenade.



7.62 x 39 mm CALIBRE

¹ Available as optional equipment.



ALMOST INVISIBLE. BUT HIGHLY EFFECTIVE.

THE SECURITY MEASURES
IN THE NEW BMW X5
PROTECTION VR6.

State-of-the-art **protection technology** from BMW: The armouring is perfectly adapted to the body of the series-production vehicle. The new BMW X5 Protection VR6 is therefore almost indistinguishable from a series-production vehicle – neither from the outside nor from the inside. Our claim is highest care with overlapping armouring in sensitive areas such as door joints, gaps or transitions between body and windows.

In addition, **security glazing** with the new so-called **Post-Blast Protection** is installed. This offers special protection against secondary attacks, as the front and all security glass panes of the new BMW X5 Protection VR6 remain in their construction position even after an impact. This means that there are no openings between the glass and the bodywork that could be used for another attack. In addition, the leak-resistant tank and underbody splinter protection ensure that you are protected all round at all times.



Passenger compartment: Thanks to comprehensive security measures, the armoured passenger compartment offers a real place to breathe a sigh of relief for up to four people.



Leak-resistant tank: The standard sheathed outer skin of the tank closes automatically after being fired at and prevents further fuel leakage.



Multi-layer safety glass: The driver and passengers of the new BMW X5 Protection VR6 are protected by an approximately 30 mm thick multi-layer safety glass with an internal polycarbonate splinter protection layer.

Additional floor and roof armouring: Entirely secure – the standard underbody splinter protection protects you against attacks with hand grenades of type DM51. Optionally, the underbody splinter protection can also be reinforced against attacks with the hand grenade HG85. In addition to standard ballistic protection, an optionally available more heavily armoured roof made of safety steel and fibre composites, also offers certified protection against drone attacks with DTG5 fragmentation charges (200 g C4 and over 500 fragmentation bodies).



RESISTANT DOWN TO THE LAST DETAIL.

THE COMBINATION OF FIRST-CLASS MATERIALS, MANY YEARS OF EXPERIENCE AND THE HIGHEST QUALITY STANDARDS MAKES THE NEW BMW X5 PROTECTION VR6 AN OUTSTANDING SECURITY VEHICLE.

Each **component of the security concept** is implemented with the greatest care so that the vehicle and the security equipment form an optimally coordinated unit. In order to be able to communicate with people outside the vehicle without having to open the doors or windows, an intercom system is fitted as standard. As additional security, an attack alarm is standard. The standard equipment of the new BMW X5 Protection VR6 also includes tyres with run-flat properties that ensure that the vehicle can continue driving even after losing tyre pressure. The heated windscreen, also included as standard, provides a clear view, and the sun protection glazing¹ guarantees discretion for the passengers in the rear.

¹ Available as optional equipment.

A POWERHOUSE: THE NEW M TWIN POWER TURBO 8-CYLINDER M50i PETROL ENGINE.

DRIVE A SECURITY VEHICLE THAT FEELS LIKE A SERIES-PRODUCTION VEHICLE.

The powerful M TwinPower Turbo 8-cylinder petrol engine, BMW xDrive of the latest generation and the suspension specially adapted to the extra weight ensure **typical BMW driving dynamics**.

Should you ever need to react quickly, the 4.4-litre V8 engine with 390 kW (530 hp) will get you out of the danger zone as quickly as possible. Two turbochargers, combined with double VANOS and High Precision Injection, provide a maximum torque of 750 Nm in the engine speed range of 1800 to 4600 rpm. The standard 8-speed Steptronic Sport transmission contributes to efficient fuel consumption. It further enhances driving comfort with its finely tuned gears, enabling the M TwinPower Turbo 8-cylinder petrol engine to deliver optimum power delivery and excellent acceleration, which contributes to the vehicle's high agility.

Soothing to know: The new BMW X5 Protection VR6 is equipped with the "Maintain Driving Readiness" feature to ensure that it remains ready for use even in the event of a crash. The electric circuit and the fuel supply are not interrupted, so the engine does not switch off.

Superior engineering: The **M TwinPower Turbo 8-cylinder petrol engine M50i** forms the powerful heart of the new BMW X5 Protection VR6.



The **M Sport brake** has four-piston fixed callipers at the front and single-piston floating callipers at the rear in blue with the M designation and features larger brake discs to ensure an outstanding braking performance.



The new BMW X5 Protection VR6 comes as standard with mixed tyres with **run-flat properties**. These tyres cannot come loose from the rim in the event of a sudden loss of pressure thanks to reinforced sidewalls, thus allowing the vehicle to continue driving to the nearest repair shop.

The new BMW X5 Protection VR6 is both agile and comfortable thanks to the **Adaptive M suspension Professional** including body roll stabilisation, Integral Active Steering and BMW xDrive.



¹ Available as optional equipment.



The **special signal system**¹ contains a detachable rotating beacon, front flashing beacons in the kidney grille and the sequence sound signal. All operating elements are grouped together in a control centre in front of the gear selector lever.

In the event of a primary power failure, the **Emergency Engine Start**¹ allows another battery to be connected to start the engine at the touch of a button.



Additional **flashing lights**¹ at the rear window warn following traffic.

The **roof aerial**¹ for radio and navigation (TETRA/GSM/GPS) is discreetly installed in the roof fin.

Lowerable side window, front: The front side window on the driver's side can be lowered electrically as standard. This equipment is also available for the front passenger's side.



OPTIONAL EQUIPMENT FOR OFFICIAL USE.

OPTIONAL EQUIPMENT SPECIALLY DESIGNED FOR GOVERNMENT AUTHORITIES AND GOVERNMENT AGENCIES WORLDWIDE.

BMW offers you additional equipment in the new BMW X5 Protection VR6 so that you can also be ready for action at any time as an escort vehicle on official orders, for representative tasks or undercover investigations. Depending on your requirements, BMW offers integrated solutions for a wide range of tasks.

A left or right **positioned flagpole**¹ is available for official flag use.



¹ Available as optional equipment.

THE NEW BMW X5 PROTECTION VR6.

EXPERIENCE THE DRIVING POWER AND UNIQUE DRIVING DYNAMICS OF THE M50i PERFORMANCE MODEL

Driving pleasure to the power of X: The new BMW X5 Protection VR6 with the M50i top engine combines the best of BMW X with a generous portion of BMW M. A design that shows even more bite and performance that impresses with enormous power and agility. Under the bonnet, an engine with M TwinPower Turbo technology, which impresses with immediate power delivery, high levels of torque even at low engine speeds, and a wide usable rev range. Precisely coordinated, all components work together for one goal: athletic driving characteristics for even more agility.



Sport seats: Dynamic and comfortable: The individually adjustable Sport seats for the driver and front passenger feature numerous electric adjustment options, including backrest width and seat angle. Together with adjustable thigh support, the taller seat and backrest bolsters provide excellent ergonomics and more lateral support during fast cornering.



BMW Individual headliner anthracite: If the vehicle is fitted with the BMW Individual headliner anthracite, not only the headliner but also the trims on the roof pillars, sun visors and rear shelf are finished in Cloth anthracite.



BMW Individual high-gloss Shadow Line with extended contents: This optional equipment extends the BMW Individual high-gloss Shadow Line with the following elements in Black Chrome: Kidney grille frame, kidney grille slats, Air Breather and tailpipe trims.



Door sill finisher: The door sill finisher at the front with the "M50i" model designation conveys sporty, luxurious elegance when the doors are opened.



M50i model designation: The "M50i" model designation can be found on the right side of the tailgate, if desired.

SECURITY MEANS SACRIFICING NOTHING.

SPACE FOR FOUR PEOPLE AND EXCEPTIONAL SEATING COMFORT.

Choose from a wide range of features that are precisely tailored to your new BMW X5 Protection VR6 in terms of function and comfort to give the vehicle your personal touch.

■ The **BMW Live Cockpit Professional** with navigation function includes two high-quality displays consisting of a high-resolution 12.3" Control Display that can be operated by touch and a fully digital 12.3" instrument display.



■ The **Automatic air conditioning with 4-zone control*** comes with the equipment included in Automatic air conditioning with 2-zone control with extended features, along with two air vents in the B columns. Additionally, the rear passengers can individually adjust their own climate via a separate control element with display.



Seating comfort in a class of its own:

□ The **comfort seats** for driver and front passenger can be adjusted electrically in a variety of ways and provide a perfect seating position for a relaxed arrival.
 □ The **Massage function** for driver and passenger* improves the physical wellbeing by stimulating or relaxing the muscles.
 □ In warm weather, the **Active seat ventilation** in the front seats* provides a cool and pleasant seat temperature, resulting in a more comfortable driving experience.



■ The **M Leather steering wheel including multifunction buttons**, an M badge and an integrated driver-side airbag is featured in three-spoke design. With a steering wheel rim in leather 'Walknappa' Black with black stitching and contoured thumb rests, it provides a direct, athletic steering experience.

■ The new BMW X5 Protection VR6 provides **the best seating comfort for a total of four people** with plenty of legroom. The ballistic partition wall, which is set far to the rear, provides a pleasant feeling of space with a particularly high level of security.



* The availability of some equipment features and functions depends on engine variants or additional options. The market and production availability may vary. You can find detailed information about terms, standard and optional equipment at www.bmw.com or from your BMW Partner.

ADDITIONAL EQUIPMENT.

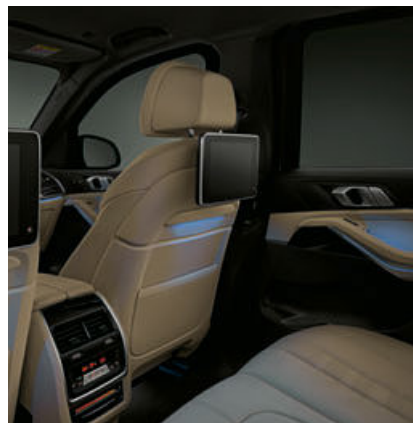
DISCOVER EVEN MORE WITH THE NEW BMW BROCHURES APP. AVAILABLE NOW, FOR YOUR SMARTPHONE AND TABLET.

■ Standard equipment □ Optional equipment

□ In the **CraftedClarity glass application**, the gear selector, the iDrive Controller and the Start/Stop button are made of hand-made crystal glass elements.



■ **Ambient light** creates a relaxed lighting atmosphere, including ambient light accents and the Welcome Light Carpet.



■ The **Soft-Close function** pulls the slightly-open door shut automatically and nearly silently.



■ **Parking Assistant Plus** makes parking and manoeuvring the vehicle easier. It features among others the Surround View system including Top View, Panorama View and Remote View 3D, as well as a rear view camera with Park Distance Control.

□ Complementary to the iDrive Touch Controller, **BMW Gesture Control** allows for specified functions to be controlled with gestures.



□ The **Sun protection glazing** tints the rear side windows and the rear window and prevents the interior from heating up.



□ **BMW Laserlight** in a unique X design and with a maximum illumination range in laser high-beam mode of up to 500 m.



□ **Telephony with wireless¹ charging** offers a comprehensive telephony package with Bluetooth connectivity and the technical capacity for a WiFi hotspot.



□ **Rear-seat entertainment Professional** provides excellent entertainment for rear passengers thanks to two separate high-resolution colour displays.



■ The **HiFi loudspeaker system** with 205 watts amplifier output and ten speakers evenly distributes the sound in the interior of the car.



¹ Supports inductive charging for Qi-compatible mobile phones. Special charging cases are available from Original BMW Accessories for selected smartphones that do not support the Qi standard for inductive charging.

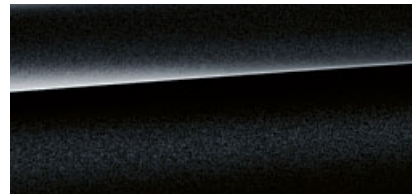
EXTERIOR AND INTERIOR COLOURS.

DISCOVER A FIRST SELECTION OF EXTERIOR COLOURS, LEATHER AND INTERIOR TRIM FINISHERS.

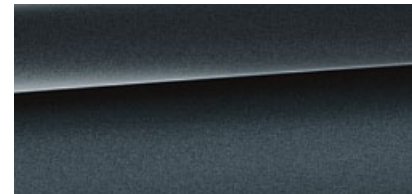
In addition, the new BMW X5 Protection VR6 comes with all the exterior and interior colour equipment available for the standard BMW X5 M50i. Please contact your BMW partner for more information.

EXTERIOR

PAINT FINISHES



□ Metallic 475 Black Sapphire



□ Metallic C27 Arctic Grey brilliant effect



■ Non-metallic 300 Alpine White

WHEELS AND TYRES



■ 19" light alloy wheels V-spoke style 734, Reflex Silver with run-flat tyres, wheel size 9J x 19 with 265/50 R19 tyres.



■ 20" light alloy wheels Star-spoke style 736 Ferric Grey with mixed tyres and runflat tyres, front 9J x 20 with 275/45 R20 tyres, rear 10.5J x 20 with 305/40 R20 tyres.



■ 20" M light alloy wheels Star-spoke style 740 M in Bicolour Orbit Grey with mixed tyres and runflat tyres, burnished, front 9J x 20 with 275/45 R20 tyres, rear 10.5J x 20 with 305/40 R20 tyres.

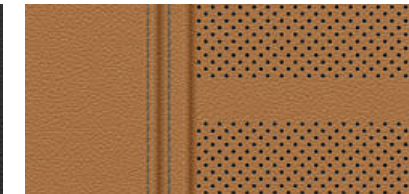
INTERIOR



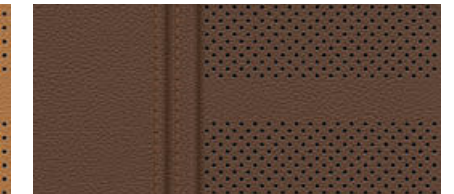
UPHOLSTERY



■ Leather 'Vernasca' MCSW design-perforated Black, interior colour Black



■ Leather 'Vernasca' MCRI design-perforated Cognac, interior colour Black¹

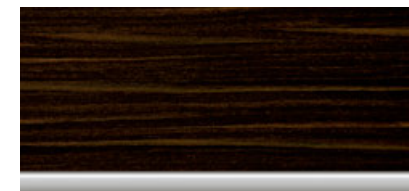


■ Leather 'Vernasca' MCHF design-perforated Coffee, interior colour Black



■ Leather 'Vernasca' MAH9 Black, contrast stitching Brown, interior colour Black

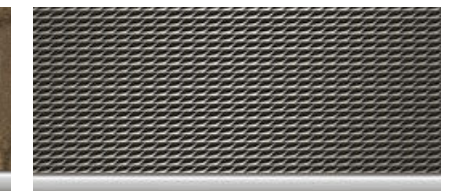
INTERIOR TRIM FINISHERS



□ 4KR Fine-wood trim 'Fineline Stripe' brown high-gloss



□ 4KP Fine-wood trim Ash Grain brown metallic high-gloss



■ 4KK Interior trim finishers Aluminium Tetragon



□ 4ML BMW Individual interior trim finishers piano finish Black

¹ Expected to be available from 05/2020.

TECHNICAL DATA.

BMW X5 Protection VR6	M50i
------------------------------	-------------

Weight		
Unladen weight EU ¹	kg	3275
Maximum permissible weight	kg	3665
Permitted load	kg	460
Luggage capacity	l	500

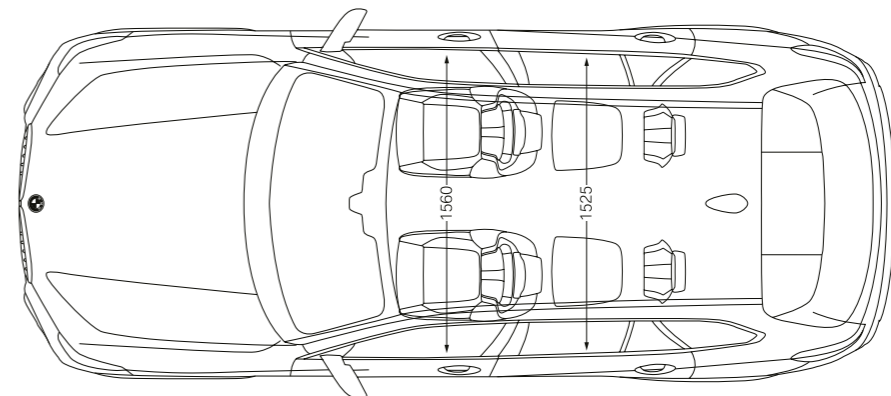
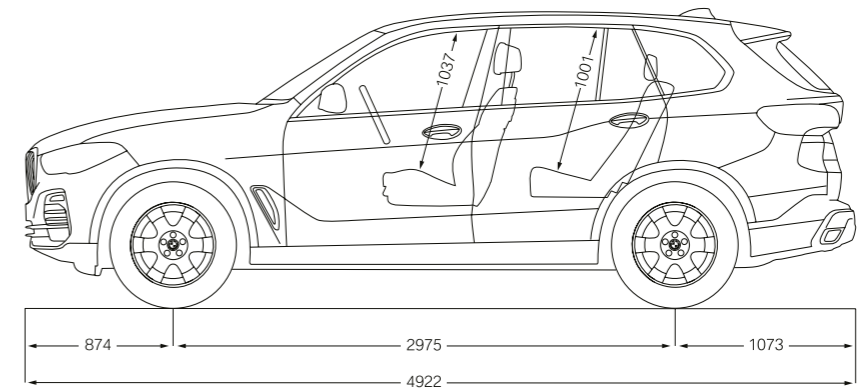
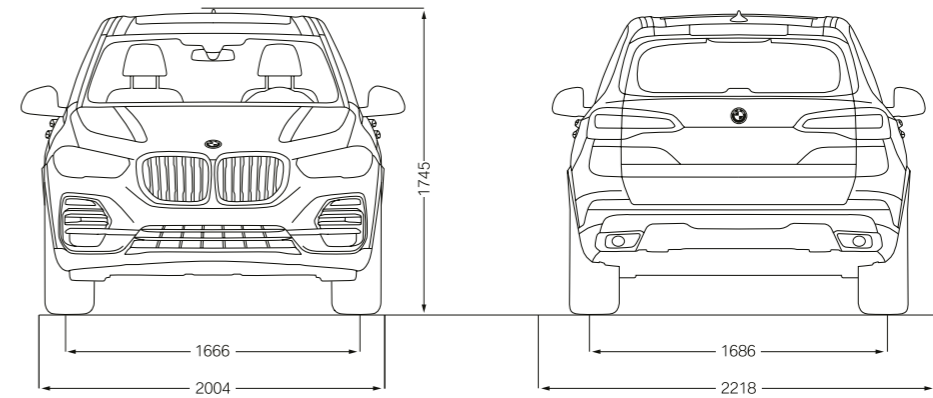
M TwinPower Turbo engine		
Cylinders/valves	-	8/4
Capacity	cm ³	4395
Max. output/engine speed	kW (hp)/rpm	390 (530)/5500–6000
Max. torque/engine speed	Nm/rpm	750/1800–4600

Power transmission		
Type of drive	-	All-wheel
Standard transmission	-	8-speed Steptronic Sport

Performance		
Top speed	km/h	210 ⁴
Acceleration 0–100 km/h	s	5.9

Consumption ^{2,3} – The engine conforms to the EU6 standard		
Urban	l/100 km	19.0
Extra-urban	l/100 km	9.6
Combined	l/100 km	13.0
Exhaust emissions standard (type-certified)	-	EU6d-temp
Combined CO ₂ emissions	g/km	298
Efficiency class	-	C
Tank capacity, approx.	l	83

Wheels/tyres		
Tyre dimensions		Front: 275/45 R20 Rear: 305/40 R20
Wheel size		9J x 20/10.5 J x 20
Material		Light alloy



The figures for performance, fuel consumption and CO₂ emissions refer to vehicles with standard transmission.

¹ The EC unladen weight refers to a vehicle with standard equipment and does not include any optional extras. The unladen weight includes a 90% full tank and a driver weight of 75 kg. Optional equipment may affect the weight of the vehicle, the payload and the top speed if the selected equipment has an impact on the vehicle's aerodynamics.

² Performance data of petrol engines apply to vehicles using RON 98 fuel. Fuel consumption data apply to vehicles using reference fuels in accordance with EU Regulation 2007/715. Unleaded RON 91 and higher with a maximum ethanol content of 10% (E10) may also be used. BMW recommends RON 95 super unleaded petrol.

³ The data for fuel consumption, CO₂ emissions and energy consumption are determined in accordance with the measurements processes as defined by European Regulation (EU) 2007/715 in the applicable version. Data refer to a vehicle with base-level equipment in Germany, and the ranges account for differences according to the selected wheel and tyre size and the optional equipment and may change during the configuration process. Figures have been determined on the basis of the new WLTP test cycle and have been converted back into NEDC figures for comparability.

⁴ Electronically limited.

BMW X5 Protection VR6:

M TwinPower Turbo 8-cylinder petrol engine, 390 kW (530 hp), 20" light alloy wheels Star-spoke style 736 with mixed tyres and run-flat properties, exterior colour in Arctic Grey brilliant effect metallic, comfort seats for driver and front passenger in leather "Vernasca" design-perforated in Canberra Beige, BMW Individual interior trim finishers piano finish Black.

The models illustrated in this brochure show the equipment and configuration options (standard and optional) for vehicles produced by BMW AG for the German market. Alterations in standard and optional equipment and the configurations available for the different models, as described in this brochure, may occur after 07/17/2019, the date when this brochure went to press, or according to the specific requirements of other markets. Your local BMW Partner is available to provide further details. Subject to change in design and equipment.

© BMW AG, Munich, Germany. Not to be reproduced wholly or in part without prior written permission of BMW AG, Munich.

96 4885 401 CS-21. Printed in Germany 2019.